

Specification [Rated current corresponding to Resistive load]
❖ DC to AC type

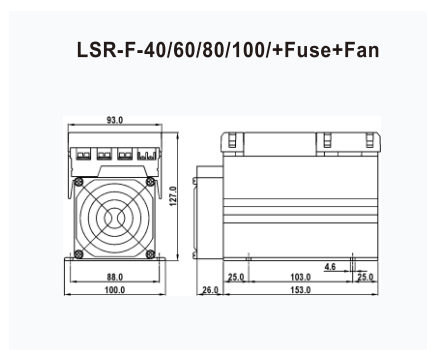
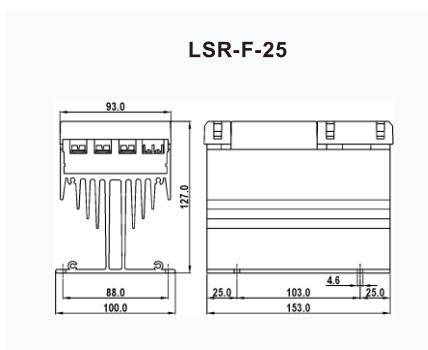
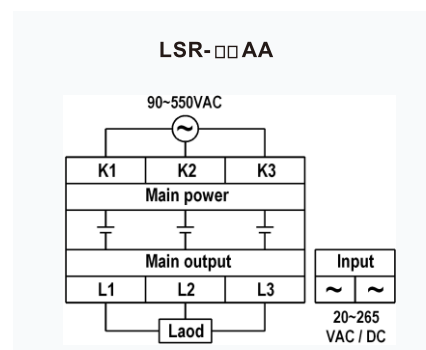
| Type | 型式 | Standard Fuse type / 標準保險絲型 | | | | |
|-----------------|-------|-----------------------------|-------------|----------------|-------------|--------------|
| Model | 型號 | LSR-F-25DA | LSR-F-40DA+ | LSR-F-60DA+ | LSR-F-80DA+ | LSR-F-100DA+ |
| Load max. | 最大負載 | 25A | 40A | 60A | 80A | 100A |
| Rated current | 額定電流 | 20A | 32A | 48A | 64A | 80A |
| Protection fuse | 保險絲 | 35A | 63A | 80A | 100A | 125A |
| Surge current | 耐突波電流 | 275A | 410A | 675A | 850A | 1100A |
| Outline | 外形尺寸 | 100*153*127 | | 100*179*127 | | |
| Cooling fan | 冷卻風扇 | Non | | 80*80 (220AVC) | | |
| Block voltage | 最低耐壓 | 600VAC | | | 1200VAC | |
| Output voltage | 輸出電壓 | 24 ~ 550VAC | | | | |

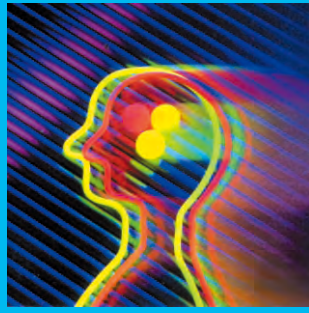
❖ AC to AC type

| Type | 型式 | Standard Fuse type / 標準保險絲型 | | | | |
|-----------------|-------|-----------------------------|-------------|----------------|-------------|--------------|
| Model | 型號 | LSR-F-25AA | LSR-F-40AA+ | LSR-F-60AA+ | LSR-F-80AA+ | LSR-F-100AA+ |
| Load max. | 最大負載 | 25A | 40A | 60A | 80A | 100A |
| Rated current | 額定電流 | 20A | 32A | 48A | 64A | 80A |
| Protection fuse | 保險絲 | 35A | 63A | 80A | 100A | 125A |
| Surge current | 耐突波電流 | 275A | 410A | 675A | 850A | 1100A |
| Outline | 外形尺寸 | 100*153*127 | | 100*179*127 | | |
| Cooling fan | 冷卻風扇 | Non | | 80*80 (220AVC) | | |
| Block voltage | 最低耐壓 | 600VAC | | | 1200VAC | |
| Output voltage | 輸出電壓 | 24 ~ 550VAC | | | | |

General specification / 共同規格

| Type | 型式 | DC to AC | AC to AC |
|---------------------|-------|----------------------------------|-----------------|
| Input voltage | 輸入電壓 | 4 ~ 32 VDC | 20 ~ 265 VAC/DC |
| Turn off voltage | 關閉電壓 | < 3.0 VDC | < 10 VAC/DC |
| Trigger current | 觸發電流 | 30mA max. | 3VA max. |
| Control method | 控制方式 | Zero cross switching | |
| Leakage current | 洩漏電流 | 25 mA max. | |
| Response time | 反應時間 | 8.3 ms (60Hz) | |
| Terminal material | 端子材質 | Intensive nylon (UL : 94V0) | |
| Input immunity | 輸入耐突波 | 2 KV (EN61000-4-4) | |
| Isolation strength | 電介強度 | 4 KV rms (EN60950/VDE0805) | |
| Insulation strength | 絕緣強度 | 100MΩ / 500VDC (EN60950/VDE0805) | |
| Circumstance | 工作環境 | -40°C ~ +80°C : 35 ~ 85%RH | |

Outline dimension / 外形尺寸

Connection / 接線圖




Think Controls

- ※ 以使用者角度設計『實用耐用的電控產品』
 - ※ 以量產標準化製造『世界標準的電控產品』
 - ※ 以滿足客戶需求追求『企業永續經營』
-
- ※ On user's position, to develop more 「Performance & Reliable controls」
 - ※ By mass-quantity producing, To produce 「World standard controls」
 - ※ By satisfying customer's requirements, To manage company foreverly.

■ Notice of safety / 安全注意事項



Warning

Potentially hazardous situation, if mishandling, may result in death or serious injury.
潛在危險，如果操作失當可能導致死亡或嚴重傷害。

- 1) Please do not touch any terminal of this module while power supply is supplied, if do, it may result in electronic shock.
送電中，請勿碰觸本固態模組任何接線端子以避免觸電。
- 2) 「Power supply system」 must to be shutdown before renew the fuse, if not, it may result in electronic shock.
更換保險絲前，請務必關閉電源系統以避免觸電。
- 3) Please rated the load current within the specified value, if not, it may result to burn up this module or fuse.
負載電流請勿超過額定電流，以避免保險絲或本固態模組燒毀。
- 4) Please tighten the screw terminal over 60Kg/cm², if not, it may result to burn up this module or fuse.
請務必鎖緊端子螺絲，扭力須超過 60Kg/cm²，否則可能導致本固態模組或保險絲燒毀。
- 5) If this module is burned up, it may be in short circuit condition or malfunction, Please settle an independent alarm system to ensure safety protection, if not, it may result in a serious accident.
本固態模組燒毀後可能是短路或失控狀態，請加裝獨立警報系統以確保安全，否則可能造成嚴重意外事故。

FOTEK

陽明電機股份有限公司
FOTEK CONTROLS CO., LTD.

Specification may be modified without notice in advance (2013/12/25)

規格變更恕不事先通知