

Think Controls

FOTEK

**Enhanced Heat sink
Solid state module**

加強散熱型固態模組

LCR SERIES

LSR & LSR-F SERIES

ASR & ASR-F SERIES

ACR & ACR-F SERIES

- **High Dielectric strength over 4KV**
- **High Isolation strength over 100MΩ/500VDC**
- **High surge current sustenance**
- **High surge voltage sustenance**
- **Conformity with EN60947-4-3 and EN60950**
- 高電介強度超過4KV
- 高絕緣強度超過100MΩ/500VDC
- 耐瞬間電流超過額定電流10倍以上
- 附雙重突波吸收回路有效防止突波破壞
- 符合EN60947-4-3 and En60950標準



CE Rohs



**陽明電機股份有限公司
FOTEK CONTROLS CO., LTD.**

Specification [Rated current corresponding to Resistive load]
❖ DC to AC type

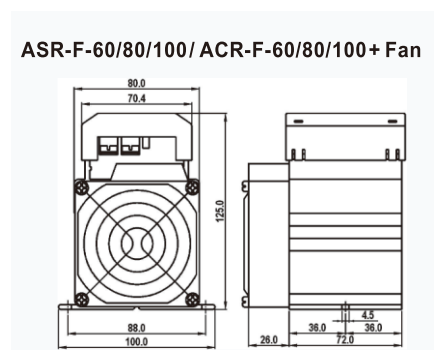
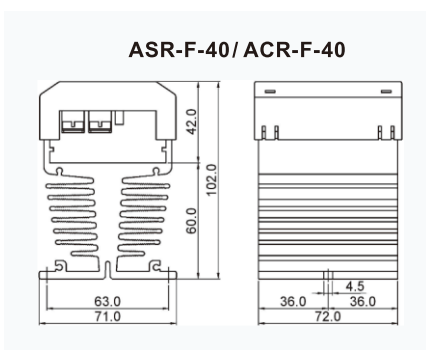
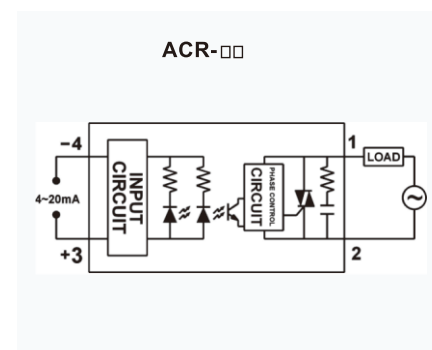
Type	型式	DC to AC Fuse type				AC to AC Fuse type			
Model	型號	ASR-F-40DA	ASR-F-60DA	ASR-F-80DA+	ASR-F-100DA+	ASR-F-40AA	ASR-F-60AA	ASR-F-80AA+	ASR-F-100AA+
Load max.	最大負載	40A	60A	80A	100A	40A	60A	80A	100A
Rated current	額定電流	32A	48A	64A	80A	32A	48A	64A	80A
Protection fuse	保險絲	63A	80A	100A	125A	63A	80A	100A	125A
Surge current	耐突波電流	410A	675A	850A	1100A	410A	675A	850A	1100A
Outline	外形尺寸	71*72*102	100*72*125	100*98*125		71*72*102	100*72*125	100*98*125	
Cooling fan	冷卻風扇	Non		80*80 (220AVC)		Non		80*80 (220AVC)	
Block voltage	最低耐壓	600VAC	1200VAC			600VAC	1200VAC		
Input voltage		4 ~ 32VDC				80 ~ 250VAC			
Output voltage	輸出電壓					24 ~ 550VAC			

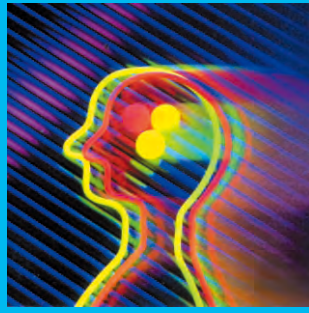
❖ Linear control type

Type	型式	Linear control Fuse type							
Load voltage	負載電壓	Standard voltage				High voltage			
Model	型號	ACR-F-40LA	ACR-F-60LA	ACR-F-80LA+	ACR-F-100LA+	ACR-F-40LAH	ACR-F-60LAH	ACR-F-80LAH+	ACR-F-100LAH+
Load max.	最大負載	40A	60A	80A	100A	40A	60A	80A	100A
Rated current	額定電流	32A	48A	64A	80A	32A	48A	64A	80A
Protection fuse	保險絲	63A	80A	100A	125A	63A	80A	80A	100A
Surge current	耐突波電流	410A	675A	850A	1100A	410A	675A	850A	1100A
Outline	外形尺寸	71*72*102		100*98*125		71*72*102		100*98*125	
Cooling fan	冷卻風扇	Non		80*80 (220AVC)		Non		80*80 (220AVC)	
Block voltage	最低耐壓	600VAC	1200VAC			600VAC	1200VAC		
Output voltage	輸出電壓	90 ~ 250 VAC				250 ~ 480 VAC			

General specification / 共同規格

Control		DC to AC type	AC to AC type	Linear control type
Type		ASR	ASR	ACR
Input voltage	輸入電壓	4 ~ 32 VDC	80 ~ 250 VAC	4 ~ 20 mA
Turn off voltage	關閉電壓	< 3.5 VDC	< 40 VAC	
Trigger current	觸發電流	12.0mA max.	1.0VA max.	
Control method	控制方式	Zero cross	Zero cross	Phase control
Response time	反應時間	8.3 ms (60Hz)	8.3 ms (60Hz)	1ms max.
Leakage current	洩漏電流	5 mA max.		
Input immunity	輸入耐突波	2 KV (EN61000-4-4)		
Isolation strength	電介強度	4 KV rms (EN60950/VDE0805)		
Insulation strength	絕緣強度	100MΩ / 500VDC (EN60950/VDE0805)		
Terminal material	端子材質	Intensive nylon (UL : 94V0)		
Circumstance	工作環境	-40°C ~ +80°C : 35 ~ 85%RH		

Outline dimension / 外形尺寸

Connection / 接線圖




Think Controls

- ※ 以使用者角度設計『實用耐用的電控產品』
 - ※ 以量產標準化製造『世界標準的電控產品』
 - ※ 以滿足客戶需求追求『企業永續經營』
-
- ※ On user's position, to develop more 「Performance & Reliable controls」
 - ※ By mass-quantity producing, To produce 「World standard controls」
 - ※ By satisfying customer's requirements, To manage company foreverly.

■ Notice of safety / 安全注意事項



Warning

Potentially hazardous situation, if mishandling, may result in death or serious injury.
潛在危險，如果操作失當可能導致死亡或嚴重傷害。

- 1) Please do not touch any terminal of this module while power supply is supplied, if do, it may result in electronic shock.
送電中，請勿碰觸本固態模組任何接線端子以避免觸電。
- 2) 「Power supply system」 must to be shutdown before renew the fuse, if not, it may result in electronic shock.
更換保險絲前，請務必關閉電源系統以避免觸電。
- 3) Please rated the load current within the specified value, if not, it may result to burn up this module or fuse.
負載電流請勿超過額定電流，以避免保險絲或本固態模組燒毀。
- 4) Please tighten the screw terminal over 60Kg/cm², if not, it may result to burn up this module or fuse.
請務必鎖緊端子螺絲，扭力須超過 60Kg/cm²，否則可能導致本固態模組或保險絲燒毀。
- 5) If this module is burned up, it may be in short circuit condition or malfunction, Please settle an independent alarm system to ensure safety protection, if not, it may result in a serious accident.
本固態模組燒毀後可能是短路或失控狀態，請加裝獨立警報系統以確保安全，否則可能造成嚴重意外事故。

FOTEK

陽明電機股份有限公司
FOTEK CONTROLS CO., LTD.

Specification may be modified without notice in advance (2013/12/25)

規格變更恕不事先通知