

RTM Series M18 Ultra short tubular type Photo sensor



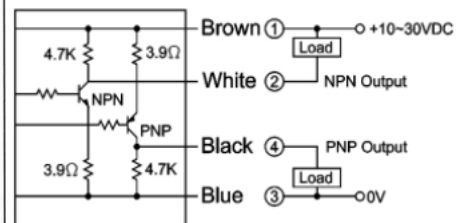
- Ultra short body length : 30 mm
- Ultra long setting distance : 30m
- Twice output : NPN & PNP
- High solid compact structure



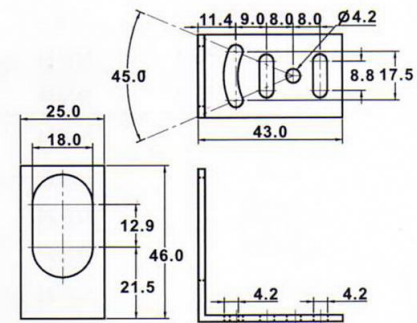
◆ General Specification / 共同規格

Specification	Data
Operating voltage 工作電壓	10 ~ 30VDC
Ripple of power 電源漣波	20% peak to peak
Output method 輸出方式	NPN & PNP two way output
Output current 輸出電流	150mA max.
Output status 輸出狀態	Standard : NO ; Appended with 「B」 : NC
Residual voltage 殘留電壓	0.1V max.
Leakage current 洩露電流	0.8mA max.
Protection circuit 保護電路	Short circuit & polarity reversed protection
Housing material 外殼材質	Intensive PBT
Illumination 耐外亂光	Lamp light < 10,000Lux ; Sunlight < 20,000Lux
Noise resistance 抗干擾	2kv / 1μs
Dielectric strength 電介強度	2.5kv / 1 minute min.
Insulation strength 絕緣強度	100 MΩ / 500vdc
Operating circumstance 工作環境	-25°C ~ +80°C ; 35% ~ 85% RH
Protection class 保護等級	IP-67
Approval 認證	CE

Connection diagram / 接線圖



Fixed Bracket / 固定架



◆ Outline dimension / 外形尺寸圖

Lead wire	M8 Lead wire	M12 Connector

◆ Reflex type / 反射型

Connection method	Lead wire		M8 Lead wire		M12 Connector	
Model 型號	R18-10X	R18-30X	R18-10X-PG	R18-30X-PG	R18-10X-M12	R18-30X-M12
Sensing distance 檢測距離	10 cm	30 cm	10 cm	30 cm	10 cm	30 cm
Sensitivity adjuster 感度調整	270° Trimmer				Non	
Emitter 發射光源	Infrared LED					
Current consumption 消耗電流	30mA max.					
Response time 反應時間	1.0 ms max.					
Approval 認證	CE					

◆ Mirror Reflex type / 鏡片反射型

Connection method	Lead wire			M8 Lead wire		
Model 型號	M18-3MX	M18-1MG	M18-2MRE	M18-3MX-PG	M18-1MG-PG	M18-2MRE-PG
Filter	Non	Non	Polarity	Non	Non	Polarity
Emitter 發射光源	Infrared LED	Blue LED	Red LED	Infrared LED	Blue LED	Red LED
Setting distance 設定距離	0.1~3.0m	0.2~1.2m	0.2~2.0m	0.1~3.0m	0.2~1.2m	0.2~2.0m
Sensitivity adjuster 感度調整	Non	270° Trimmer	270° Trimmer	Non	270° Trimmer	270° Trimmer
Sensible object 可被檢測物	Non-Transparent	Transparent	Non-Transparent	Non-Transparent	Transparent	Non-Transparent
Current consumption 消耗電流	30mA max.					
Response time 反應時間	1.0 ms max.					
Approval 認證	CE					
Connection method	M12 Connector					
Model 型號	M18-3MX-M12		M18-1MG-M12		M18-2MRE-M12	
Filter	Non		Non		Polarity	
Emitter 發射光源	Infrared LED		Blue LED		Red LED	
Setting distance 設定距離	0.1~3.0m		0.2~1.2m		0.2~2.0m	
Sensitivity adjuster 感度調整	Non		Non		Non	
Sensible object 可被檢測物	Non-Transparent		Transparent		Non-Transparent	
Current consumption 消耗電流	30mA max.					
Response time 反應時間	1.0 ms max.					
Approval 認證	CE					

◆ Thru beam type / 透過型

Connection method	Lead wire		M8 Lead wire		M12 Connector	
Model 型號	T18-30MX	T18-6MX	T18-30MX-PG	T18-6MX-PG	T18-30MX-M12	T18-6MX-M12
Sensing distance 設定距離	0~30m	0~6m	0~30m	0~6m	0~30m	0~6m
Sensitivity adjuster 發射光源	Infrared LED					
Emitter 感度調整	Non					
Current consumption 消耗電流	30mA max.					
Response time 反應時間	1.0 ms max.					
Approval 認證	CE / UL					