

LCT / LCG series

Water proof Lane photoelectric sensor

- Mounted angle adjustable
- Thru beam type with twin beams
- Mirror reflex type with polarity filter
- High Illumination Resistance
- Longer sensing distance
- High protection class IP 67
- 安裝角度可調整
- 雙光軸透過型
- 鏡片反射型附偏光片
- 高抗外亂光
- 更長的檢測安裝距離
- 高防水等級 IP 67

LCT / LCG 系列

防水型 車道光電傳感器

IP 67 CE Rohs



www.fotek.com.tw



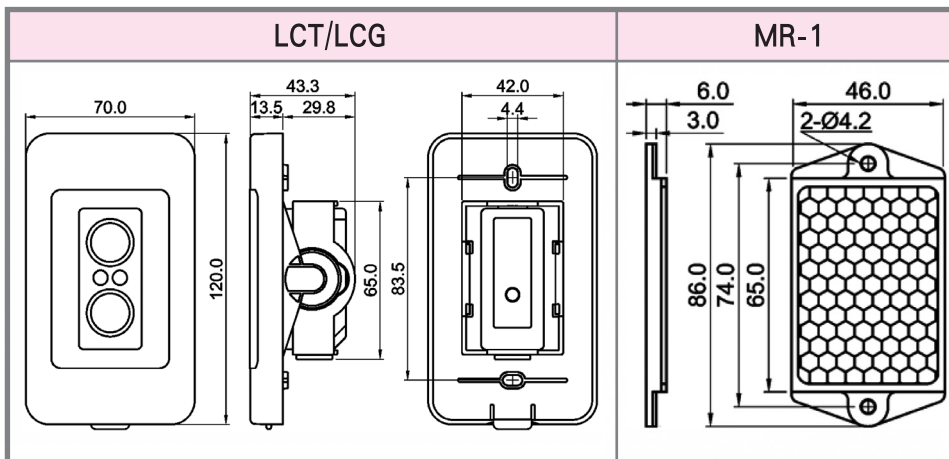
FOTEK CONTROLS
EST. 1985

Relay is Conformed to Bellcore specification and FCC Part 68

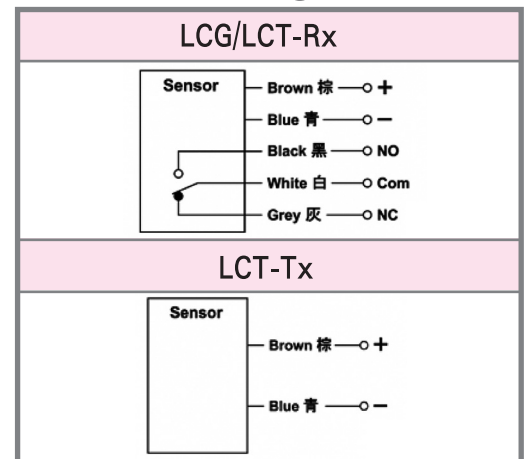
● General specification / 基本規格

| Type | 形式 | Thru beam type | | | | Mirror reflex type | | Polarized mirror reflex type | |
|--------------------------|-------|---|-----------|-----------|-----------|--------------------|-----------|------------------------------|------------|
| Model | 型號 | LCT-16MX | LCT-16MXB | LCT-40MX | LCT-40MXB | LCG-12MR | LCG-12MRB | LCG-10MRE | LCG-10MRBE |
| Sensing distance | 檢測距離 | 16 M min. | 16 M min. | 40 M min. | 40 M min. | 12 M min. | 12 M min. | 10 M min. | 10 M min. |
| Output status | 輸出狀態 | Dark ON | Light ON | Dark ON | Light ON | Dark ON | Light ON | Dark ON | Light ON |
| Polarized filter | 附偏光片 | non | | | | non | | With polarized filter | |
| Emitter | 發射光 | Infra-Red LED | | | | Red LED | | | |
| Light beams | 光軸數 | Twin light beams | | | | Single light beam | | | |
| Current consumption | 耗電流 | Tx : 10mA max. ; Rx : 30mA max. | | | | 40mA max. | | | |
| Power supply | 工作電壓 | 10-30VDC | | | | | | | |
| Output method | 輸出方式 | Relay 2A/30VDC max. | | | | | | | |
| Fixed adjustable angle | 安裝角度 | Rotated angle $\leq \pm 15^\circ$; Pitched angle $\leq \pm 15^\circ$ | | | | | | | |
| Relay life of mechanical | 機械壽命 | 1 \times 10 ⁸ operations min. | | | | | | | |
| Relay life of electrical | 電氣壽命 | 5 \times 10 ⁵ operations. min. (1 A 30 VDC) | | | | | | | |
| Response time | 反應時間 | 20 ms max. | | | | | | | |
| Min. sensible object | 最小檢測物 | 200 ϕ Opaque object min. | | | | | | | |
| Illumination resistance | 耐外亂光 | Sunlight > 30,000 Lux. ; Lamplight > 10,000 Lux. | | | | | | | |
| Protection circuit | 保護迴路 | Power polarity reversed | | | | | | | |
| Vibration resistance | 耐震動 | 10-55Hz /1.5mm, 2 hours in X/Y/Z directions | | | | | | | |
| Approval | 安規 | CE / RoHS | | | | | | | |
| Housing material | 外殼材質 | Housing : Intensive ABS (94V0) ; Cover & Lenz : PMMA | | | | | | | |
| Protection | 防水等級 | IP-67 | | | | | | | |
| Connection method | 出線方式 | 5 ϕ x 12 cm | | | | | | | |
| Operating circumstance | 工作環境 | - 25 $^\circ$ C ~ +80 $^\circ$ C ; 35% ~ 85% RH | | | | | | | |

● Outline dimension / 外形尺寸



● Connection diagram / 連接圖



● Notice / 注意事項

| | |
|--------------------|--|
| Warning | <p>These series products are not designed for personal safety protection, Please do not apply for such as purpose.</p> <p>本系列產品不是設計使用在人員安全防護，請勿使用在此用途上！</p> |
| Caution | <p>1> Please assure the correct voltage of power supply.</p> <p>2> Please do not directly expose these products to fluorescent lamp or sunlight, from making malfunction.</p> <p>3> Please do not use these products under the oil or chemical environment.</p> <p>4> Please do not clean these products with organic solvent such as thinner or strong alkali or acid.</p> <p>1> 請確認提供正確的電源電壓。</p> <p>2> 本系列產品請勿直接暴露在螢光燈或太陽光直接照射的環境。</p> <p>3> 本系列產品請勿使用在有油污或化學氣體的環境。</p> <p>4> 本系列產品請勿使用溶劑擦拭，如松香稀釋劑或強酸強鹼的液體。</p> |